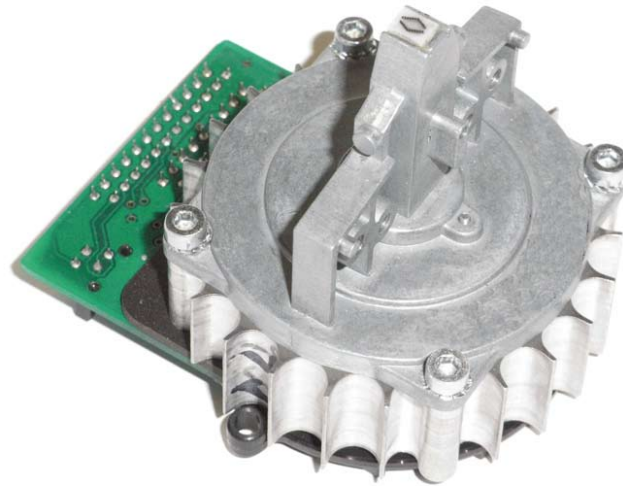




www.esc-engineering.com

Via Baraggino - Campus Tecnologico
10034 Chivasso (TO) - ITALY
info@esc-engineering.com
P. IVA 09705560010
tel. 011 0436265 e Fax 011 0431971

ESC-P-24



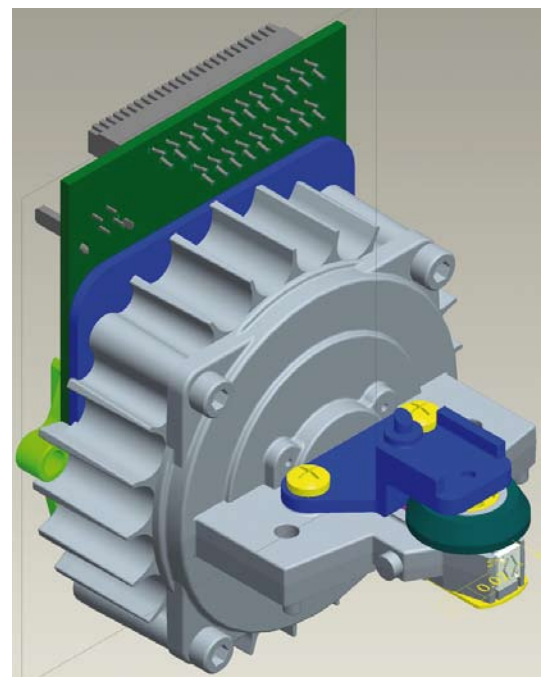
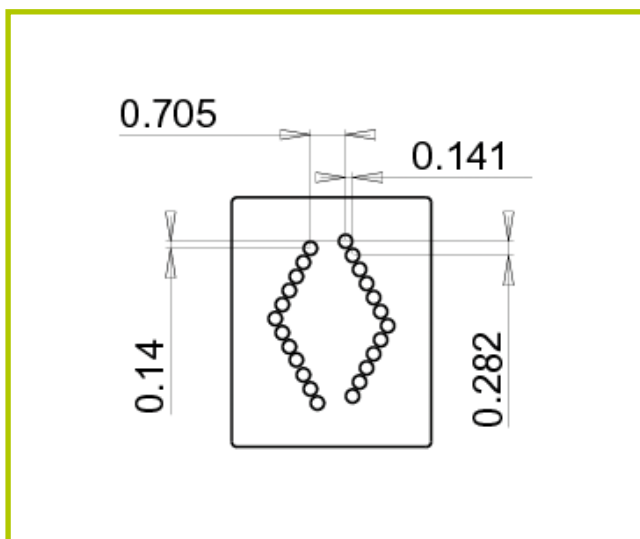
ESC PRINTHEAD 24

The ESC-P-24 is a non ballistic dot impact printhead with 24 needles and a maximum working frequency of 2.500 Hz.

The ESC-P-24 is a cutting edge technology product developed using the most advanced methods to assure a robust and reliable product.

The ESC-P-24 can be used on standard printers as well as on passbook printers and can be equipped with a wheel to ensure the constant gap between the needles and the paper.

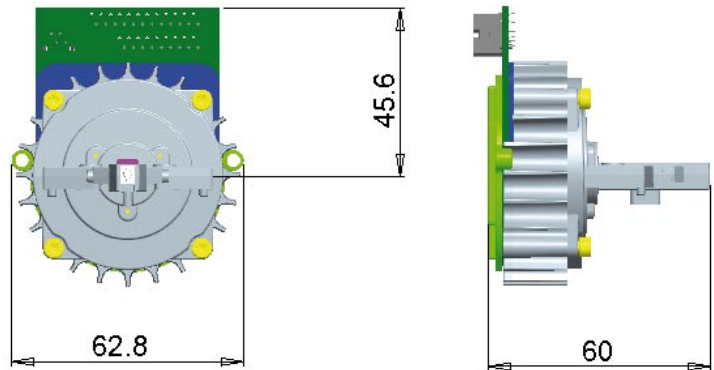
Further information available upon request.





www.esc-engineering.com

SPECIFICATIONS



MECHANICAL

NEEDLES

Material		Tungsten carbide
Number	n	24
Diameter	mm	0,25

DIMENSIONS

Length x Width x Height	mm	60 x 62,8 x 77
Weight	g	200

ELECTRICAL

SOLENOID COILS

Resistance	ohm	5,8	
Temperature rating	°C	180	Class F double insulation

DRIVE CIRCUIT

Voltage	Vdc	38	
Current	A	1,9	peak

THERMISTOR

Type		PTC	KTY 83 - 110
Resistance	ohm	1000	@25 °C

PERFORMANCES

DYNAMIC PERFORMANCES

Platen gap	mm	0,35	max
Frequency	Hz	2500	max
Form capability	pages	1 + 5	Chemical parts
Static stroke	mm	0,35	
Impact force	N	20	average

DUTY CYCLE

Operating temperature	°C	96	continuous
Transient temperature	°C	105	

LYFE	Cycles	300 millions	Per needle @33% duty cycle
------	--------	--------------	----------------------------

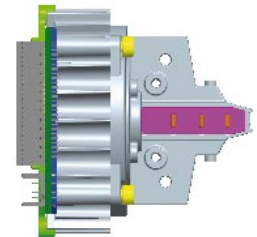
ENVIRONMENTAL

TEMPERATURE

Operating	°C	10 to 50
Storage	°C	-40 to 70

HUMIDITY

Operating	RH	10% to 90%	Not condensing
Storage	RH	10% to 95%	Not condensing



All specifications subject to changes without notice